

ELEVATOR SURVEY FORM

Email to: sales@torindriveintl.com

Date of Survey
Customer Name

PROJECT NAME	
CONSULTANT NAME	

SECTION #1- Fill out for estimating

Elevator Number					
Otis Machine Contract Number					
Please Check Items to Order	Machine	Machine	Machine	Machine	Machine
	Bedplate & Rope Guard	Bedplate & Rope Guard	Bedplate & Rope Guard	Bedplate & Rope Guard	Bedplate & Rope Guard
	Deflector (Recommended)	Deflector (Recommended)	Deflector (Recommended)	Deflector (Recommended)	Deflector (Recommended)
	Secondary Sheave (for 2:1 application)	Secondary Sheave (for 2:1 application)	Secondary Sheave (for 2:1 application)	Secondary Sheave (for 2:1 application)	Secondary Sheave (for 2:1 application)
Special Otis Encoder Mounting (Yes or No)					
Machine Location (Overhead or Basement)					
Quote Geared or Gearless Machine					
Drive Output Voltage Supply (VAC)					
Elevator Capacity (lb)					
Elevator Speed (fpm)					
Rope Diameter Size (use for reference only)					
Roping (1 to 1 or 2 to 1)					
For 2 to 1, please provide the closest diameter for the secondary sheave (in)	Car Side	CWT Side	Car Side	CWT Side	CWT Side
Qty					
Estimated Empty Car Weight (lb)					
Counterweight %					
Travel (ft)					
Compensation (Yes or No)					
Emergency Brake Option (If TDI Standard emergency brake is not available, TDI will recommend applicable emergency brake)	TDI Standard Emergency Brake		TDI Standard Emergency Brake		TDI Standard Emergency Brake
	Drake Rope Brake	Model	Drake Rope Brake	Model	Drake Rope Brake
	HW Rope Gripper	Model	HW Rope Gripper	Model	HW Rope Gripper

SECTION #2- Fill out when ready to order

Please review the SKETCH on Page 2

Right or Left Hand Machine (ILL.1)			
Rope Drop Distance (in)(ILL.2)			
Rope to Machine Room Wall (in)(ILL.2)			
Machine Room Height Clearance (in)(ILL.2)			
Wf - Beam Width (in)(ILL.3)			
Ww - Beam Height (in)(ILL.3)			
Z1 (in)(ILL.2)			
Z2 (in)(ILL.2)			
Existing Machine Beam Location (Select option A or B or C or D)(ILL.3)			
CT - Concrete Slab Thickness (in) (ILL.3)			
Weight of Comp. Sheave (lbs)			
Is the existing deflector sheave re-used?			
If yes, please provide the following data:			
Ddef - Deflector Sheave Diameter (in)			
Number of Ropes			
Groove Pitch (Center of rope to rope) (in)			
Ys - Bottom of machine room floor to center of deflector sheave (in) (ILL.3)			

If the application is 2:1 and require secondary sheave, please fill Appendix A

PLEASE NOTE ANY SPECIAL CONDITIONS

Illustration-1 Machine Hand

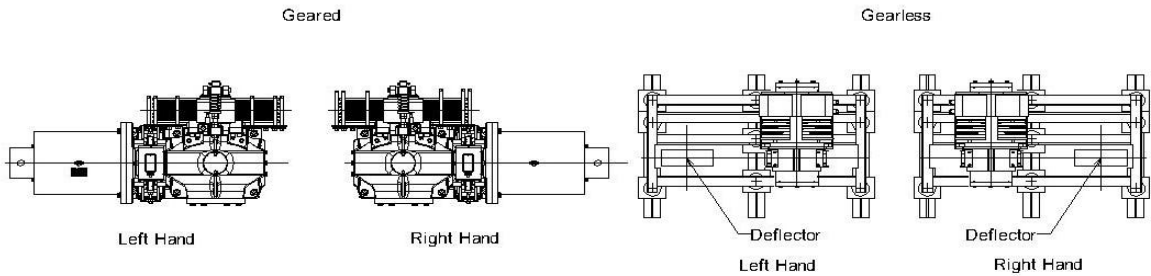


Illustration-2 Machine Room

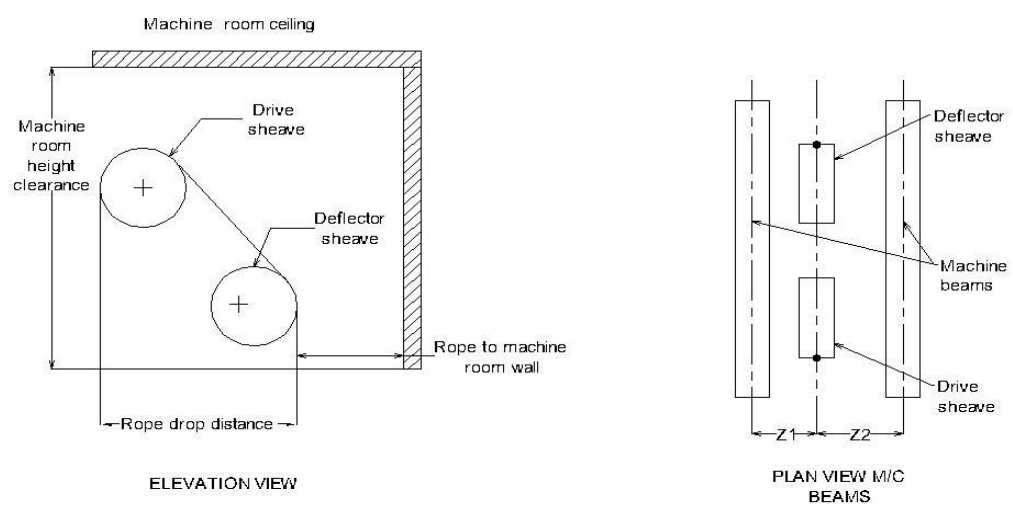
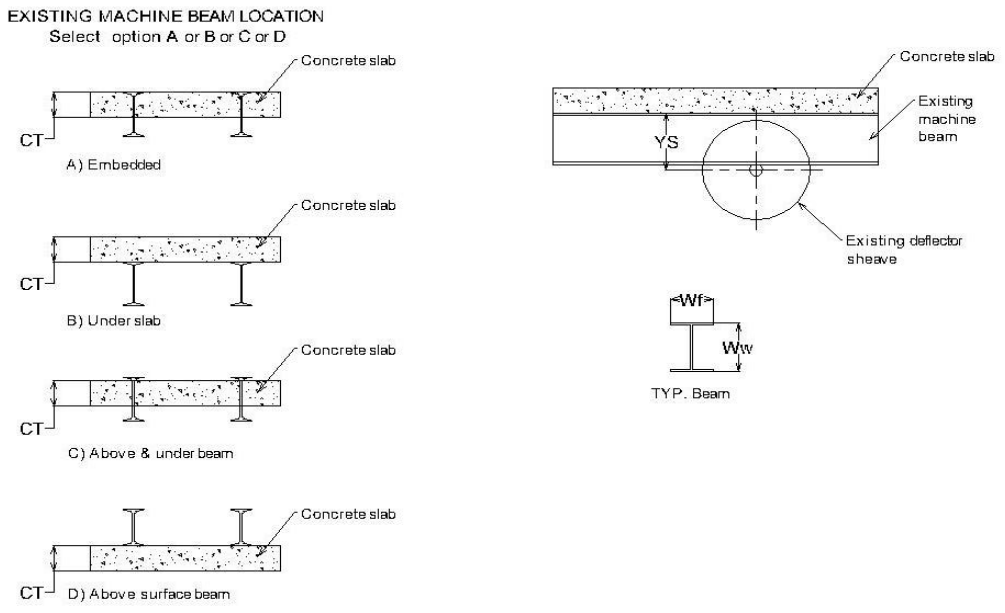


Illustration-3 Machine Beam



Appendix A: Secondary Sheave Survey Form

Please fill this form if you need to replace secondary sheave for 2:1 application

Elevator Number						
Rope Size						
Number of Grooves						
Secondary Sheave Position	Car Side	CWT Side	Car Side	CWT Side	Car Side	CWT Side
Sheave Diameter (D)						
Maximum Allowable Sheave Width (W) (in)						
Qty						
L1 (in)						
L2 (in)						
L3 * (in)						
L4 * (in)						

* If the shaft doesn't need flat portion, L3 and L4 can be zero

