

## ELEVATOR WIRE ROPE WEDGE SOCKET (SHACKLE)

### ZZIPCO USA STANDARD ZZWNS SERIES 8, 10, 13, 16 AND 19 WIRE ROPE WEDGE SOCKET (SHACKLE)

Approved by:

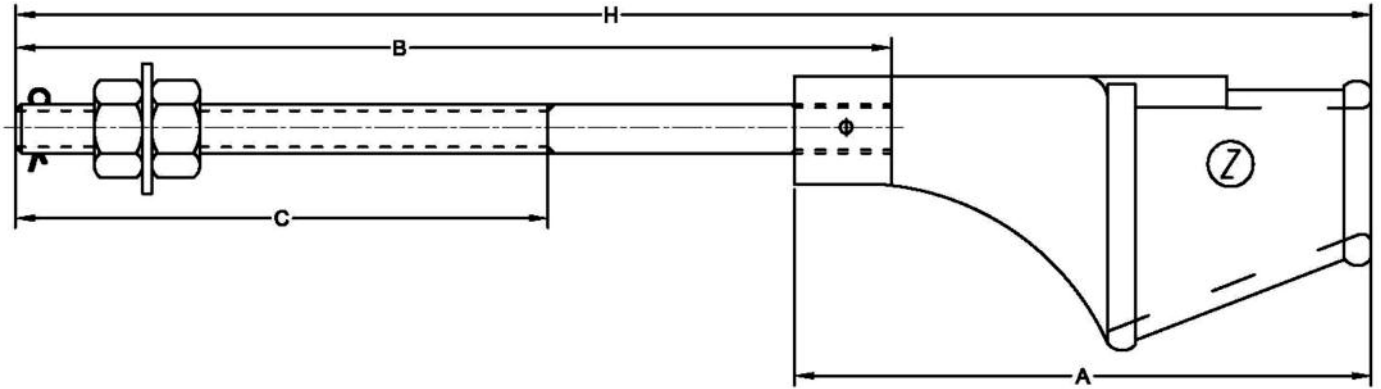
- MEA (City of New York, building department)
- State of California
- TSSA, Canada

ZZWNS Series Wedge Sockets (Shackles) are tested with IWRC Drako 300TX TRACTION STEEL elevator rope (made in Germany and rated the highest strength elevator rope in today's market) and exceed ASME A17.1S-2005 Section 2.20.9.5 Safety Code. All standard wedge sockets are painted with a black body and color coded to match each wedge color for high safety standards.

**All sockets come with wedge, two rope retaining clips, cotter pin, washer and two nuts as standard.**



**CUSTOM CONTROL MANUFACTURING**  
*and industrial sourcing of technical components*



## WEDGE SOCKET ASSEMBLIES SPECIFICATIONS

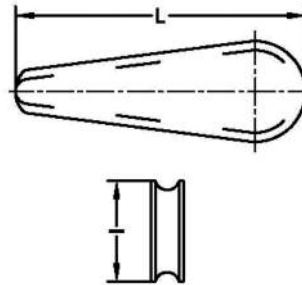
Part #	Size	A	B	C	Nut Size	H
ZZWNS8	1/4"-5/16" (6-8mm)	5"	12", 18", 24"	9.05"	M12	17", 23", 29"
ZZWNS10	3/8" (10mm)	6"	12", 18", 24"	9.05"	M14	17", 23", 29"
ZZWNS13	7/16"-1/2" (11-13mm)	7.5"	12", 18", 24", 30", 36", 42"	9.05"	M20	18", 24", 30", 36", 42", 48"
ZZWNS16	9/16"-5/8" (14-16mm)	7.5"	12", 18", 24", 30", 36", 42"	9.05"	M20	18", 24", 30", 36", 42", 48"
ZZWNS19	11/16"-3/4" (17.5-19mm)	9"	12", 18", 24", 30", 36", 42"	9.05"	M24	19.5", 25.5", 31.5", 37.5", 43.5", 49.5"

Standard rod lengths are listed above. Additional rod lengths are available.

## WEDGE INSERT SPECIFICATIONS

Part #	Size	L	I	Color
ZZWW8	1/4"-5/16" (6-8mm)	3.25"	0.9"	White
ZZWW10	3/8" (10mm)	3.75"	1.3"	Red
ZZWW13	7/16"-1/2" (11-13mm)	4"	1.6"	Blue
ZZWW16	9/16"-5/8" (14-16mm)	4.7"	1.3"	Yellow
ZZWW19	11/16"-3/4" (17.5-19mm)	5.5"	1.57"	Green

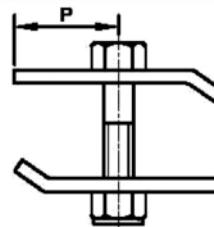
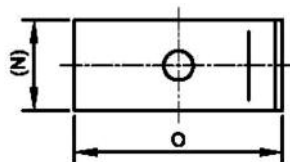
### WEDGE INSERT



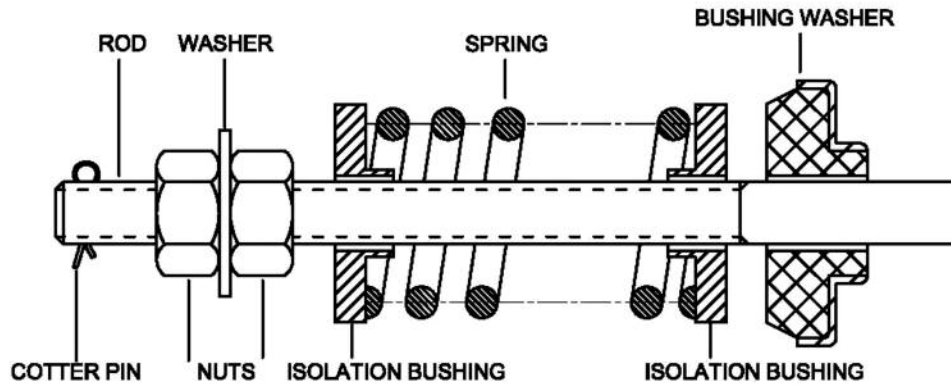
## RETAINING CLIP SPECIFICATIONS

Part #	Size	N	O	P	Nut Size	Bolt Size
ZZWRC810	1/4"-3/8" (6-10mm)	1"	1.58"	0.7"	M6	M6x30mm
ZZWRC1316	7/16"-5/8" (11-16mm)	1"	1.84"	0.94"	M6	M6x35mm
ZZWRC19	11/16"-3/4" (17.5-19mm)	1"	2.14"	1.06"	M6	M6x40mm

### RETAINING CLIP



## SPRING ISOLATION BUSHING ASSEMBLIES



### SPRING ISOLATION BUSHING ASSEMBLIES PROVIDE:

- Equal tension on all wire ropes
- Isolation of all metal parts between sockets, spring and hitch plate for noiseless operation

Spring Assemblies include springs, bushings and washers.

Other models are available for heavy duty and high rise cars.

Part #	Size
ZZWS10	3/8" (10mm)
ZZWS13	7/16"-1/2" (11-13mm)
ZZWS16	9/16"-5/8" (14-16mm)
ZZWS19	11/16"-3/4" (17.5-19mm)



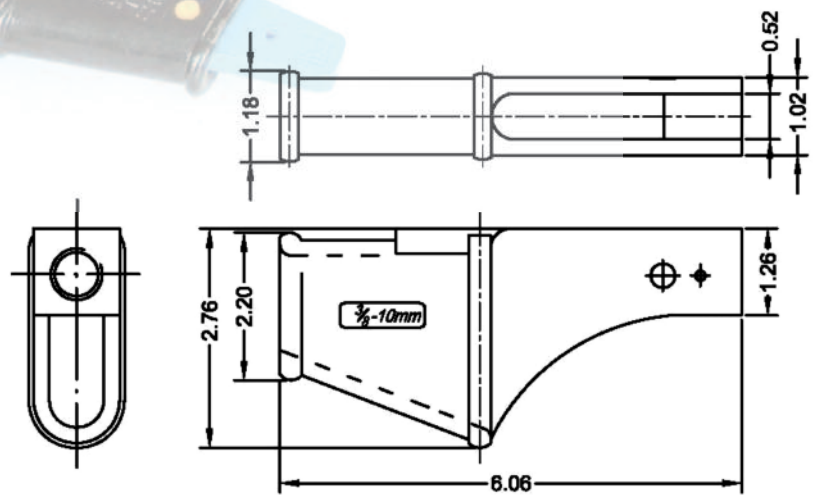
### ZZIPCO USA STANDARD WIRE ROPE WEDGE SOCKETS (SHACKLES) ARE:

- Safer than handling molten Babbitt or chemicals
- Installation methods are easier to teach
- Proven in thousands of applications
- Save over 50% on cost and labor versus Babbitt and resin socketing
- Easy, consistent installation
- Simple adjustment procedure for shortening ropes.
- Easy method of inspection to assure correct installation
- Exceeds all OEM Specifications

## GOVERNOR ROPE WEDGE SOCKETS

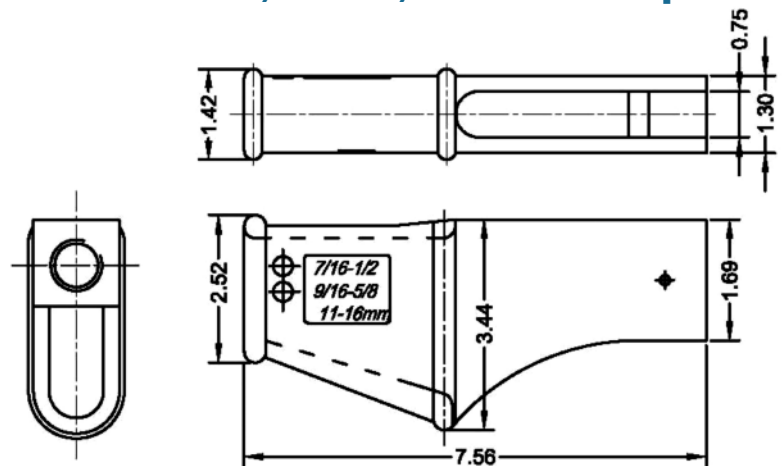
Governor rope sockets come with wedge inserts and rope retaining clips.

### ZZWG10 for 3/8" 10mm ropes:



### ZZWG13 for 7/16" - 1/2" 11-13mm ropes:

### ZZWG16 for 9/16" - 5/8" 14-16mm ropes:



## GOVERNOR WEDGE SOCKET SPECIFICATIONS

Part #	Size
ZZWG10	3/8" (10mm)
ZZWG13	7/16"-1/2" (11-13mm)
ZZWG16	9/16"-5/8" (14-16mm)



NOTE: Actual dimensions and specifications of the products listed on these pages may change without notice to conform with the most recent regulations and standards.