

SEIM OIL COOLER # NETHY

SEIM OIL COOLER MADE IN ITALY

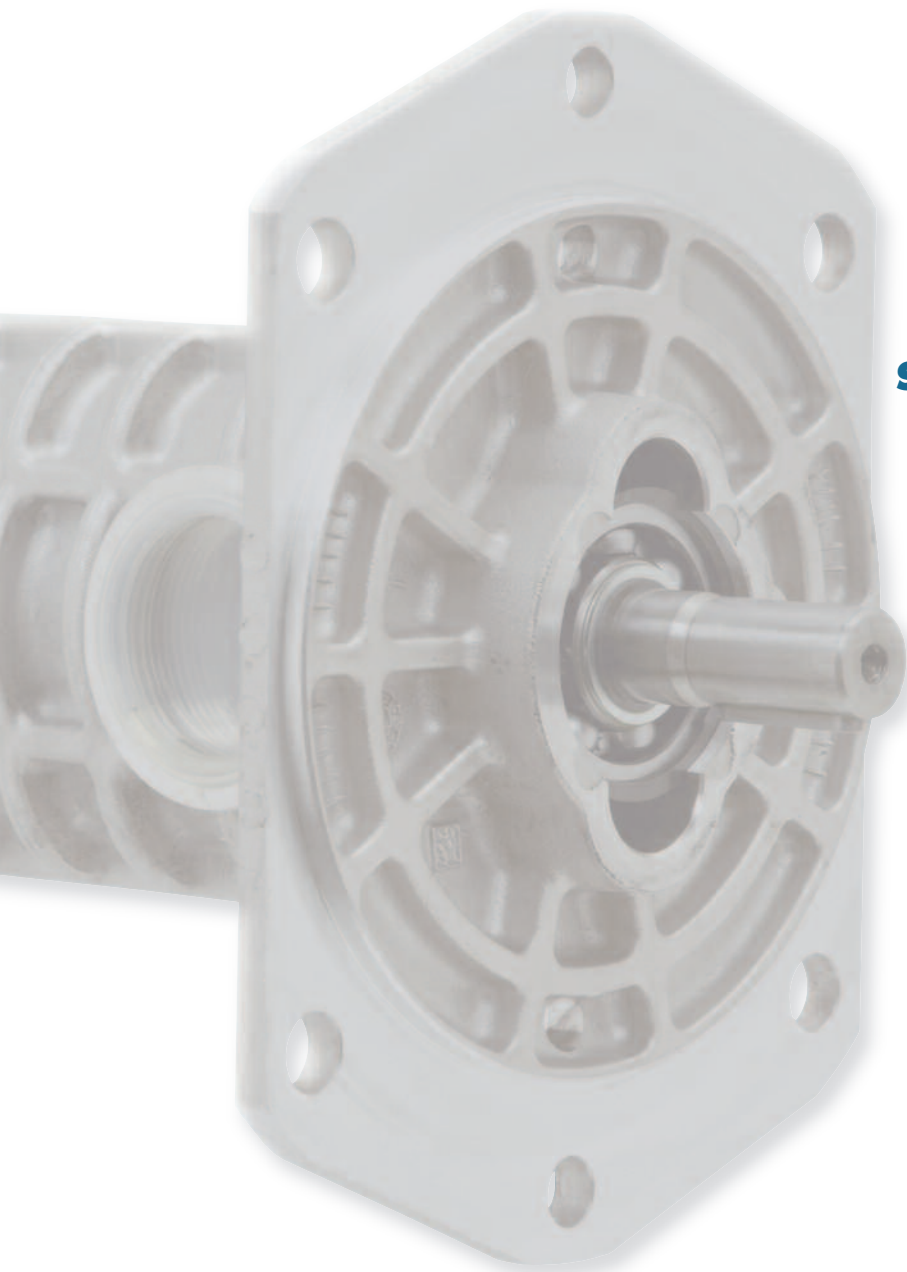
It is exclusively distributed to North American Market by ZZIPCO

ZZIPCO USA Standard SEIM Oil Cooler package including :

- Cooler unit
- Wall mount Brackets
- Two sets of 15 Feet 1" hoses with 2 X 1" adapters (1 straight , 1 elbow)
- Adjustable thermostat controller (120/240 VAC-UL/CSA) from 85 F to 195 F



CUSTOM CONTROL MANUFACTURING
and industrial sourcing of technical components

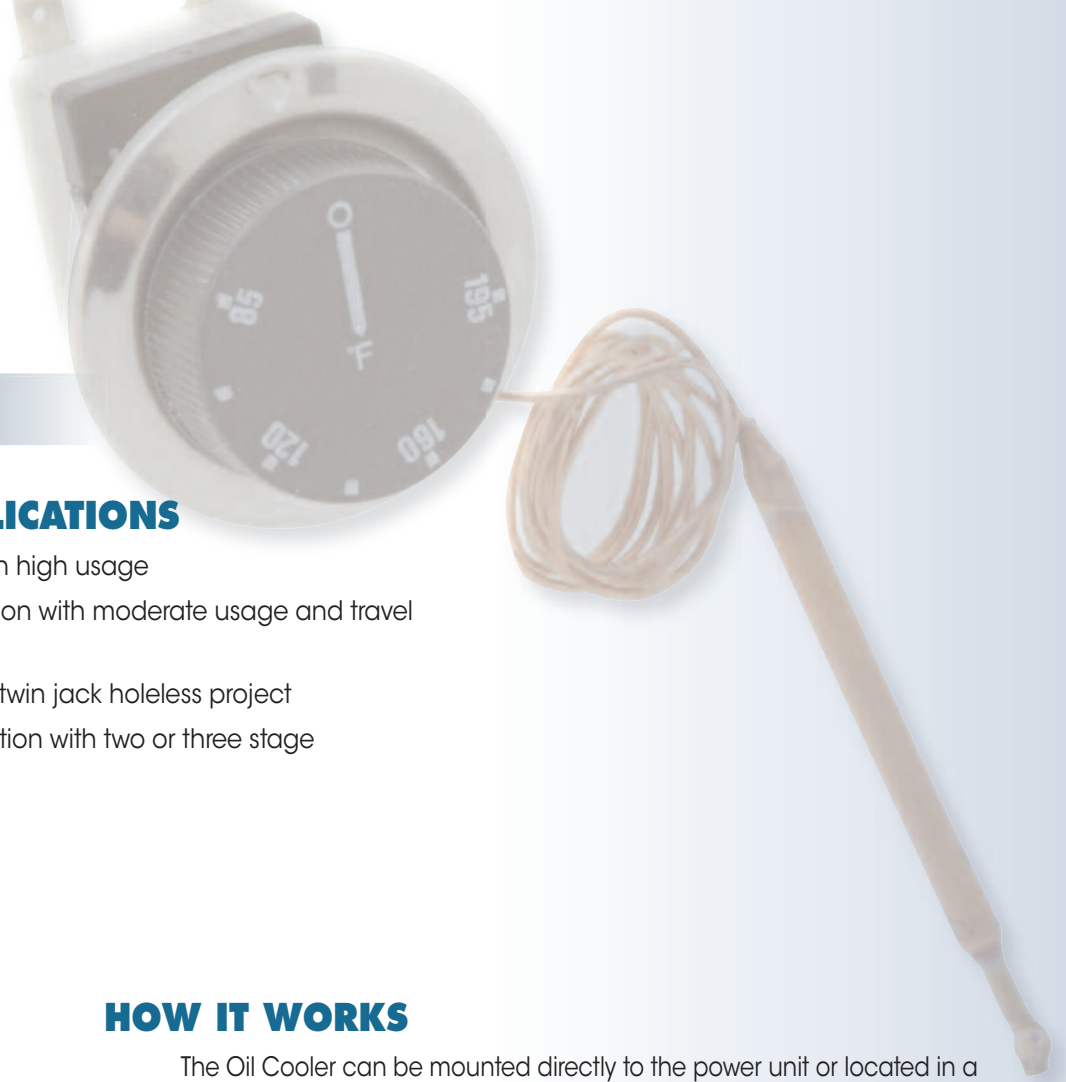


SPECIFICATIONS

- Heat Removal: 26,100 BTU/Hr@40 F Temp Delta.
- Single phase 0.55HP, 60HZ 110/220V AC or 208-230 VAC/3.6AMP BONANI Motor / UL-CE. Rated RPM1700.
- 9 GPM, 85 PSI Aluminum SEIM screw pump.
- Noise : 67 DB at 3 Ft
- The heart of the unit consists of a SEIM triple screw pump, highly reliable and silent
- Electrical requirement 110/220V AC, 1 phase, 20 AMP Separate Circuit
- Heavy gauge frame Construction.
- Weight approximately 90LBS

BENEFITS

- Smoother stops and starts
- Overall performance improvement
- Extended component life
- Fewer shutdowns

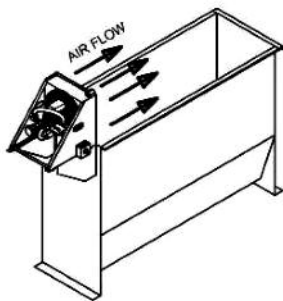


RECOMMENDED APPLICATIONS

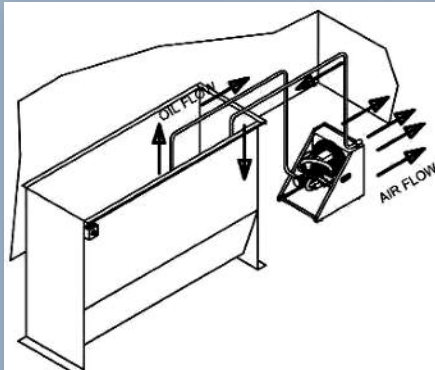
- Any hydraulic elevator with high usage
- Roped hydraulic application with moderate usage and travel exceeding 25 feet
- Heavily used single-stage twin jack holeless project
- Twin jack holeless application with two or three stage telescopic jacks

HOW IT WORKS

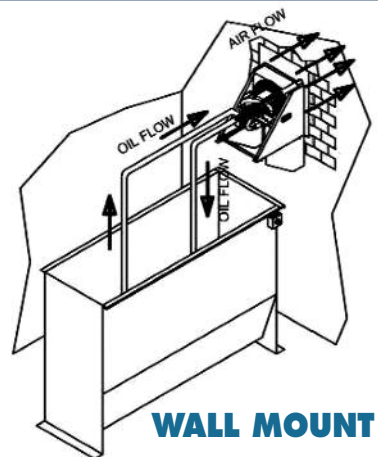
The Oil Cooler can be mounted directly to the power unit or located in a remote location. When the oil temperature in the reservoir reaches the pre-set limit, the pump starts to recirculate the oil through the radiator. This process reduces the oil temperature by nearly 40°F, depending on site conditions.



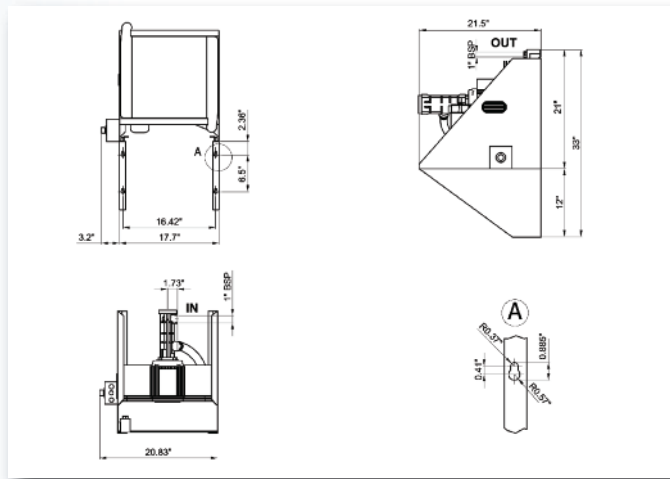
DIRECT MOUNT



FLOOR MOUNT



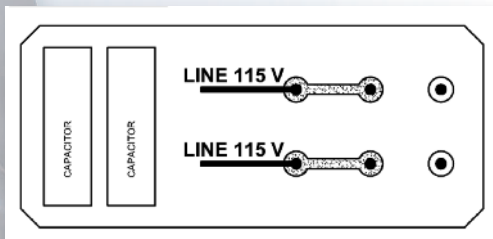
WALL MOUNT



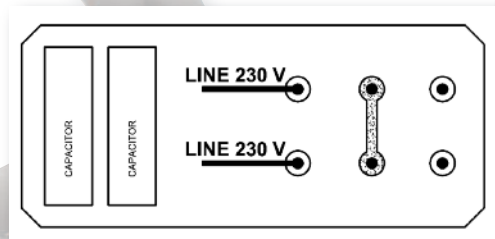
Part #	Description	Part
	SEIM Oil Cooler	Nethy#06M2TF00
001	Three screw pump electric motor	PDA032#2AS1D05D0100
002	Electric motor	USMOT#080N4S0M2
003	Thermostat box	1SCATUS
004	Thermostat	1TERMUS
005	Right support	1NEFTA#06
006	Left support	1NEFTB#06

MOTOR WIRING INSTRUCTION FOR 110/220 VAC:

FOR 110V AC



FOR 220V AC



Motors are factory preset for 220V AC

 JUMPERS



CUSTOM CONTROL MANUFACTURING
and industrial sourcing of technical components