



## OIL BUFFERS

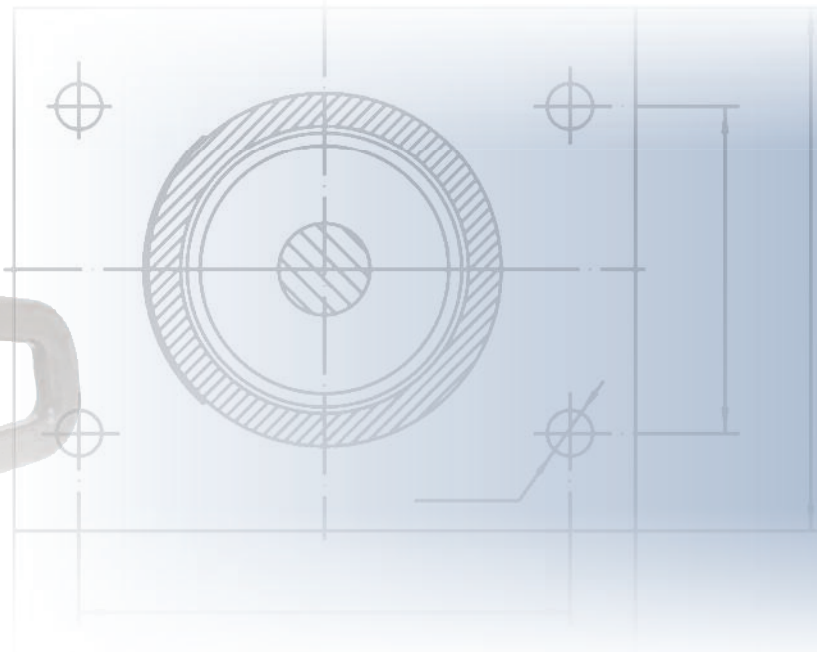
### ZZIPCO USA STANDARD ZOB SERIES OIL BUFFERS

Approved by:

- CSA
- Conform ASME A17.1 & B44 Codes
- State of California

ZZIPCO Oil Buffers are easy to install and reliable. These buffers are readily mountable wherever reliable oil buffers are needed. They are designed and built with strict engineering standards for the North American market.

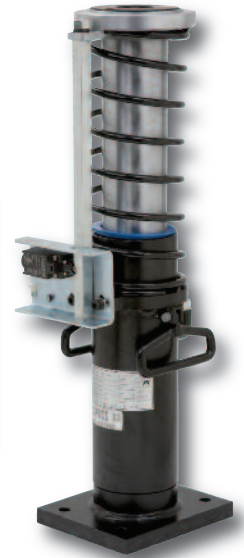
**Oil Buffers come with a limit switch.**



**CUSTOM CONTROL MANUFACTURING**  
*and industrial sourcing of technical components*

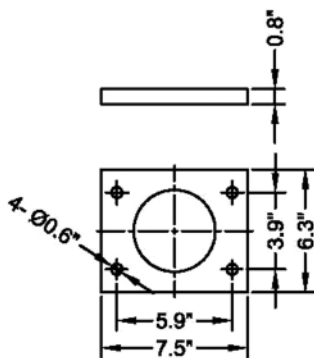
## STANDARD OIL BUFFER SPECIFICATIONS

Type	Part #	Stroke	Overall Height	Comp Height	Max Car Speed	Gross load		Shipping Weight
						Min	Max	
Standard	ZOB31	3"	10"	7"	200 FPM	1300 LBS	5500 LBS	35 LBS
	ZOB52	7"	22"	15"	300 FPM	1300 LBS	10000 LBS	65 LBS
	ZOB53	9"	26"	17"	350 FPM	1300 LBS	10000 LBS	75 LBS
	ZOB54	12"	31"	19"	400 FPM	1300 LBS	10000 LBS	85 LBS
	ZOB55	18"	45"	27"	500 FPM	1300 LBS	10000 LBS	115 LBS

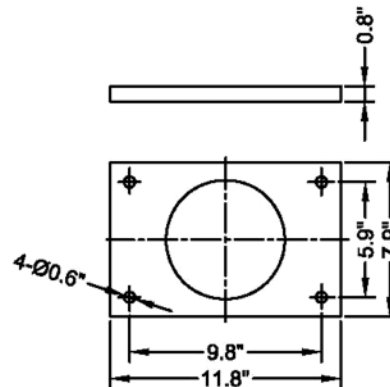


## HEAVY DUTY OIL BUFFER SPECIFICATIONS

Type	Part #	Stroke	Overall Height	Comp Height	Max Car Speed	Gross load		Shipping Weight
						Min	Max	
Heavy Duty/ Freight	ZOB36	4"	13"	9"	200 FPM	1500 LBS	8000 LBS	50 LBS
	ZOB37	8"	25"	17"	300 FPM	4500 LBS	18000 LBS	130 LBS
	ZOB38	10"	29"	19"	350 FPM	4500 LBS	18000 LBS	145 LBS
	ZOB39	12"	33"	21"	400 FPM	4500 LBS	18000 LBS	165 LBS
	ZOB40	18"	48"	30"	500 FPM	4500 LBS	18000 LBS	215 LBS



Bottom mounting plate dimension for ZOB31, ZOB52, ZOB53, ZOB54, ZOB55 and ZOB36.



Bottom mounting plate dimension for ZOB37, ZOB38, ZOB39 and ZOB40.