

Rope Brakes

SURE STOP™ ROPE BRAKES – US PATENT 8,256,579 B2 – CERTIFIED TO CSA B44.1 / ASME A17.5

RB500 Sure Stop rope brake for 3/8 in to 1/2 in • 9.5 mm to 12.7 mm ropes

Part Number	Description
SURE STOP RB500	Sure-Stop rope brake kit for 3/8 to 1/2 inch ropes, including cable and manual
RB-JSQ8	Sure-Stop rope brake for 3/8 to 1/2 inch ropes
RB-JSQ-CABLE	Power/signal cable
RB-JSQ-MANUAL	Installation manual
AZ85618	Optional 220/120 transformer (if using 120VAC power)

RB625 Sure Stop rope brake for 1/2 in to 5/8 in • 12.7 mm to 15.8 mm ropes

Part Number	Description
SURE STOP RB625	Sure-Stop rope brake kit for 1/2 and 5/8 inch ropes, including cable and manual
RB-JSQ9	Sure-Stop rope brake for 1/2 to 5/8 inch ropes
RB-JSQ-CABLE	Power/signal cable
RB-JSQ-MANUAL	Installation manual
AZ85618	Optional 220/120 transformer (if using 120VAC power)



Sure Stop Rope Brake Replacement Parts

Part Number	Description
RB-BRAKE-PAD	Replacement brake pad (one) for RB500
RB-JSQ9-PAD	Replacement brake pad (one) for RB625

The Sure Stop rope brakes are a patented single-piece design. Their unique electro-mechanical operation removes the need for a separate hydraulic reset unit. Their compact footprints (16.25" x 8.625" for the RB500, 18" x 9.125" for the RB625) install easily in tight spaces. Power hook-up is quick and uncomplicated.

Use the RB500 for ropes 3/8 to 1/2 in. in diameter with a spread of up to 6 inches. Use the RB625 for ropes 1/2 to 5/8 in. in diameter with a spread of up to 7.75 inches.

The Sure Stop Rope Brakes are certified to CSA B44.1 / ASME A17.5 and have been verified to meet all relevant ASME A17.1 code requirements. They have also been tested and certified by NETEC (National Elevator Inspection and Testing Center) report number T3-F35-09-009.

Note: The RB500 and RB625 are normally wired for 208/220VAC but can use 120VAC with the optional transformer (p/n AZ85618). And while the units connect easily to almost every controller, in rare circumstances the wiring may need to be adapted. Draka also offers a code compliant solution for older controllers. Contact Draka for details and assistance.

Features

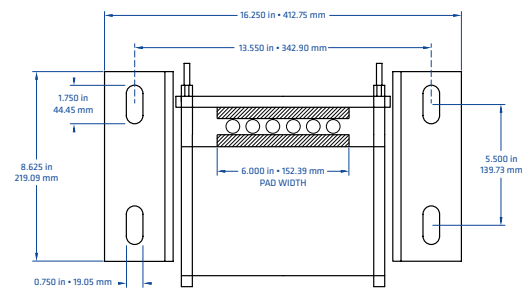
- Completely electronic – no need for any hydraulic piping or fittings
- Compact footprints install easily in tight spaces
- Certified to CSA B44.1-04 and ASME-A17.5-2004 (cCSAus)
- Complies with all ASME A17.1-2013 code requirements

Technical Specifications

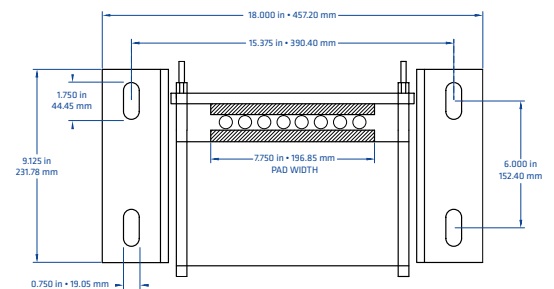
Specification	RB500	RB625
Rope Diameter	3/8" to 1/2"	1/2" to 5/8"
Brake Pad Width	6"	7-3/4"
1:1 Roping Rated Speed	500 ft/min	1,200 ft/min
1:1 Rated Load*	440 to 5,500 lbs	1,900 to 7,500 lbs
1:1 Total System Mass	16,000 lbs	30,000 lbs
2:1 Roping Rated Speed	350 ft/min	600 ft/min
2:1 Rated Load*	880 to 11,000 lbs	4,000 to 15,000 lbs
2:1 Total System Mass	28,400 lbs	61,000 lbs

*Rated loads with 40 - 50% counterweight

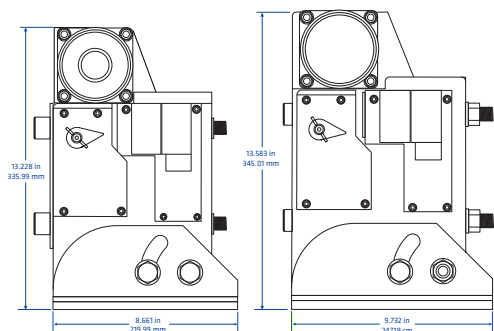
Installation footprint RB500



Installation footprint RB625



H/W Dimensions for RB500 and RB625



Wire Rope, Compensation and Accessories