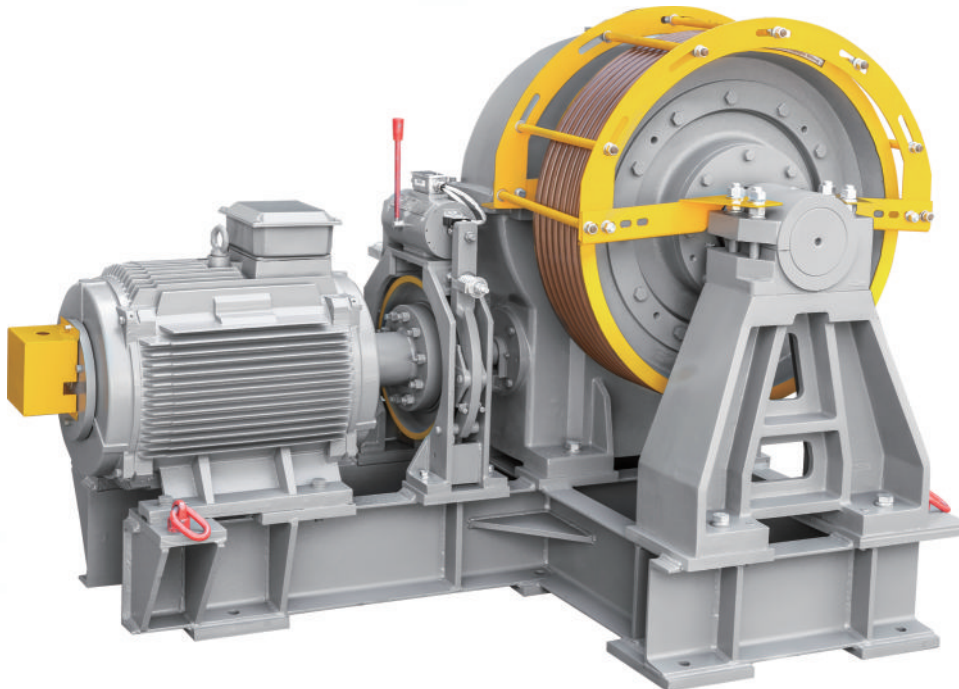


OVERHEAD GEARED MACHINE TGD4 SERIES

- A17.1 compliance
- CSA B44.1/ASME A17.5 Certification
(CSA File No. 243553)
- Induction motors: 480V/60Hz
- Maximum full load mass: 55000 lbs
- Demountable bronze gear
- Sheave diameter: 32.3 inches and 35.8 inches
- Up to 10 x 3/4 in. Ropes
- Incremental encoder: 2048 pulses per revolution
- Estimated weight: 5005 lbs
- Sheave brake is not available for TGD4 geared machine

Normal Brake Model **DZE-14E**
Pick/Hold Voltage **110/70VDC**
Pick/Hold Current **3.5A/2.2A**
Resistance **31.5 Ohms**

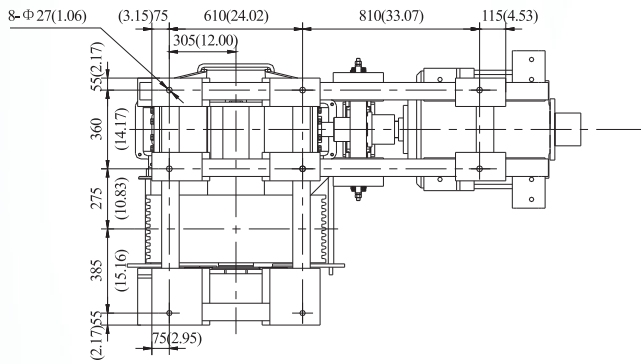
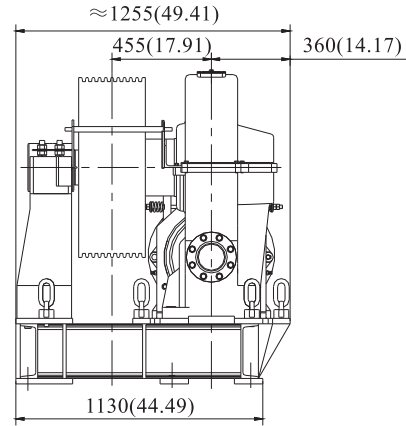
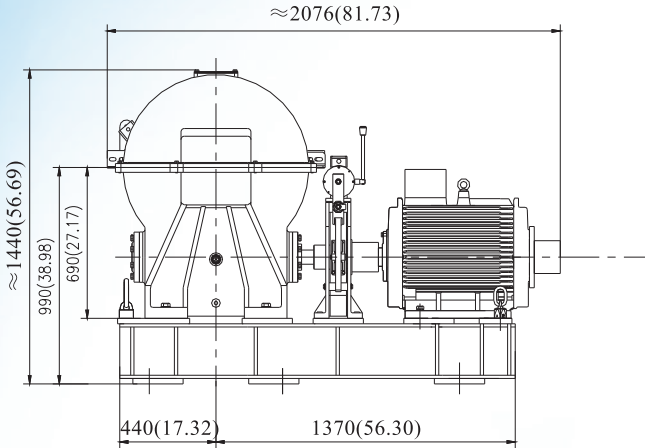


Model Number	Motor Rating (HP)	Poles	Rated Speed (rpm)	Rated Voltage (VAC)	Rated Motor Frequency (HZ)	Rated FLA (A)	No Load current (A)	Elevator Duty	Sheave Diameter	Gear Ratio	Application Motor RPM	Cwt (%)	Sheave side
TGD4-8035-HV-R	75	6	1184	480	60	78	23	7000-8000 lbs/350 fpm	35.8 in	63:2	1175	40	Right
TGD4-12020-HV-R	75	8	886	480	60	85	34	11000-12000 lbs/200 fpm	32.3 in	75:2	887	40	Right

Data are subject to change without prior notice

Note: Right hand only

OVERHEAD
GEARED MACHINE
TGD4 SERIES

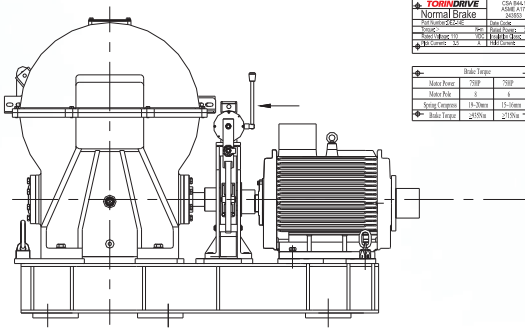
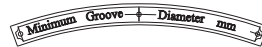


All dimensions in the brackets are in INCHES

Brake Nameplate

TORINDRIVE ELEVATOR TRACTION MACHINE		CE	
Normal Brake			
Model	1000	1000	
Max. Force	7500	7500	
Max. Speed	15	15	mm/s
Max. Torque	24500	24500	Nm

Sheave Nameplate

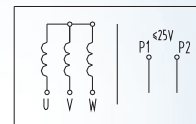


Encoder Connect Cable

Machine Nameplate

TORINDRIVE ELEVATOR TRACTION MACHINE		CE	
Type	Gear Ratio		
Load	Lbs	Lift Speed	Fpm
Power	HP	Rotating Speed	rpm
Voltage	VAC	Rating	SS 40% duty cycle/VT
Frequency	Hz	Max. Ambient (40°C)	
Current	A	Locked Rotor Current	A
Connect	Ins. Class	Prot. Class	IP
Pole	P.F.	App. Wk.	kg
Oil Type	Date		
Machine Ser No.	Motor Ser No.		
Motor Type	Size wire ampacity per 75°C/167°F		
MANUFACTURED IN CHINA			

Power Wiring Diagram



Brake Wiring Diagram

